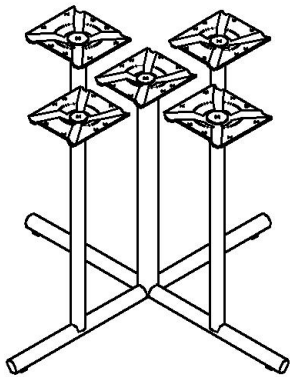
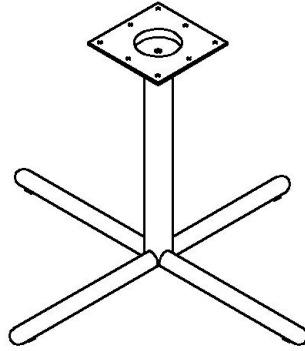


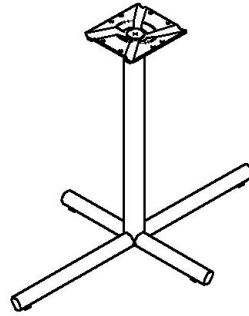
**Cross Bases**



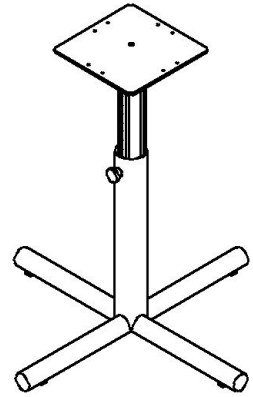
**4036-365**



**4036-36**



**4026-36**



**4026-26  
ADJUSTABLE  
HEIGHT**

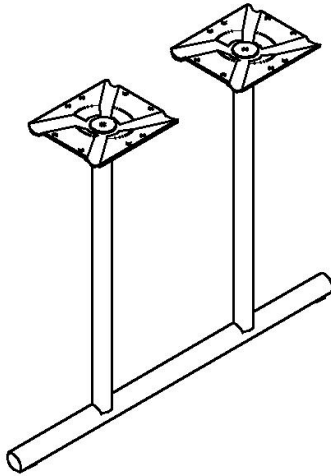
**Specifications:**

Bases and columns constructed of 13 gauge tubular steel. Steel end caps on bases are welded, hand ground, and polished. Fabricated steel spiders, columns, and bases are permanently assembled and shipped set up. Bases are furnished with adjustable nickel plated rubber cushioned glides and screws for 1-1/4" thick table tops.

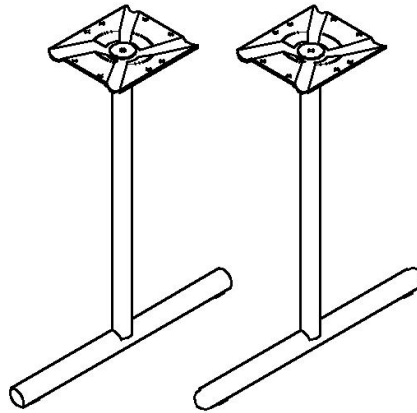
**Sizes:**

Model	Base Spread	Column Diameter	Spider Size
4018-18	18" x 18"	2-3/4"	10" x 10"
4022-22	22" x 22"	2-3/4"	10" x 10"
4026-26	26" x 26"	2-3/4"	10" x 10"
4030-30	30" x 30"	2-3/4"	10" x 10"
4032-32	32" x 32"	3"	12" x 12"
4036-36	36" x 36"	3"	12" x 12"
4036-365 (5-column)	36" x 36"	(4) 2"	12" x 12"
4022-26	22" x 26"	2-3/4"	10" x 10"
4022-32	22" x 32"	3"	10" x 10"
4026-36	26" x 36"	3"	10" x 10"

## "T" & Offset Bases

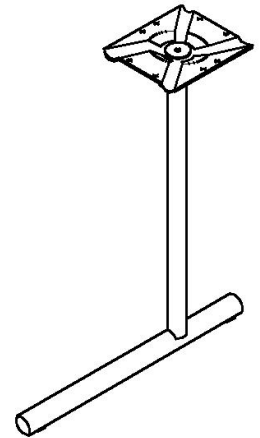


**4036-EB2**



**4020-EB**

**4020-EB  
(W/BULLNOSE  
ENDS)**



**4020-OB**

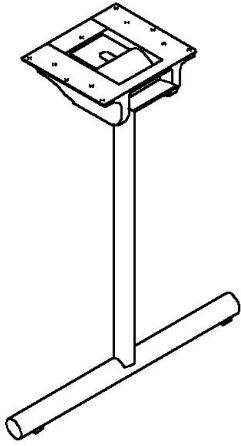
### Specifications:

Bases and columns constructed of 13 gauge tubular steel. Steel end caps on bases are welded, hand ground, and polished. Fabricated steel spiders, columns, and bases are permanently assembled and shipped set up. Bases are furnished with adjustable nickel plated rubber cushioned glides and screws for 1-1/4" thick table tops.

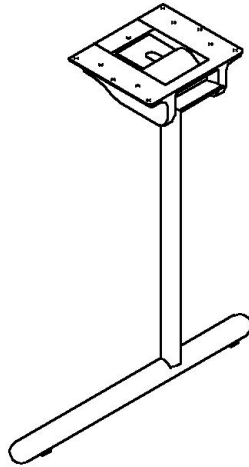
### Sizes:

Model	Base Spread	Column Diameter	Spider Size
4016-EB	16"	2"	8" x 10"
4020-EB	20"	2"	8" x 10"
4026-EB	26"	2"	8" x 10"
4030-EB	30"	2"	8" x 10"
4016-OB	16"	2"	8" x 10"
4020-OB	20"	2"	8" x 10"
4026-OB	26"	2"	8" x 10"
4026-EB2	26"	(2) 2"	(2) 8" x 10"
4030-EB2	30"	(2) 2"	(2) 8" x 10"
4036-EB2	36"	(2) 2"	(2) 8" x 10"
4042-EB2	42"	(2) 2"	(2) 8" x 10"

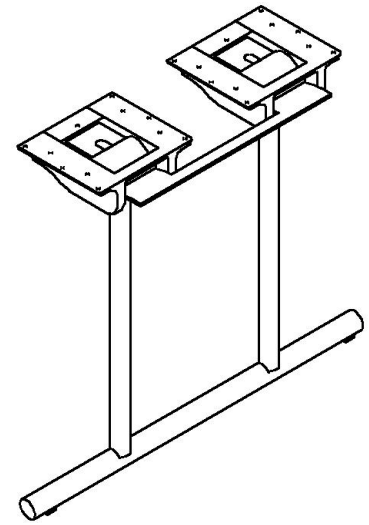
## **Folding Bases**



**4020-FG**



**4020-OBFG  
(W/BULLNOSE ENDS)**



**4036-FG2**

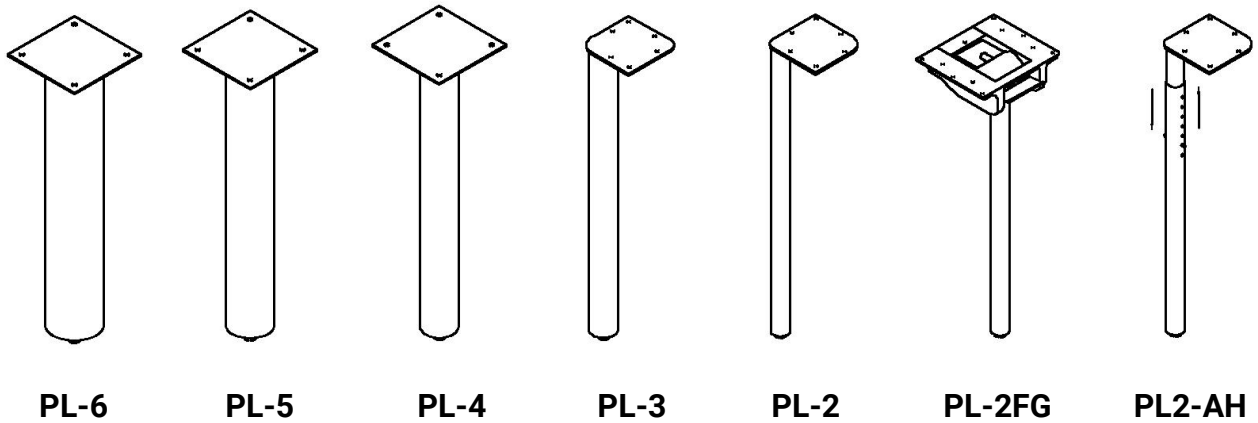
### **Specifications:**

Bases and columns constructed of 13 gauge tubular steel. Steel end caps on bases are welded, hand ground, and polished. Fabricated steel spiders, columns, and bases are permanently assembled and shipped set up. Bases are furnished with adjustable nickel plated rubber cushioned glides and screws for 1-1/4" thick table tops.

### **Sizes:**

<b>Model</b>	<b>Base Spread</b>	<b>Column Diameter</b>	<b>Spider Size</b>
4016-FG	16"	2"	8" x 9"
4020-FG	20"	2"	8" x 9"
4026-FG	26"	2"	8" x 9"
4030-FG	30"	2"	8" x 9"
4016-OBFG	16"	2"	8" x 9"
4020-OBFG	20"	2"	8" x 9"
4026-OBFG	26"	2"	8" x 9"
4026-FG2	26"	(2) 2"	(2) 8" x 9"
4030-FG2	30"	(2) 2"	(2) 8" x 9"
4036-FG2	36"	(2) 2"	(2) 8" x 9"
4042-FG2	42"	(2) 2"	(2) 8" x 9"

## Post Legs



### Specifications:

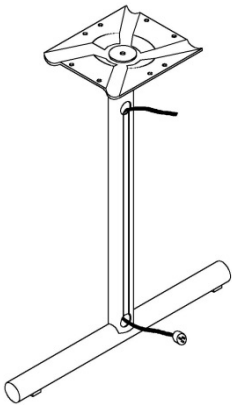
Folding post legs constructed of 14 gauge tubular steel column with a specially fabricated folding mechanism. Fixed and adjustable height post legs constructed of 14 gauge tubular steel column with a 7 gauge fabricated steel mounting plate. Adjustable height legs available with either 2" or 3" diameter column. Adjustment in 1" increments within a 6" range is achieved by simply depressing the spring loaded locking pins and sliding the column to the desired height. Post legs are shipped fully assembled and furnished with adjustable nylon leveling glide and screws for 1-1/4" thick table tops.

### Sizes:

Model	Base Spread	Column Diameter	Spider Size
PL-6	16"	2"	8" x 9"
PL-5	20"	2"	8" x 9"
PL-4	26"	2"	8" x 9"
PL-3	30"	2"	8" x 9"
PL-2	16"	2"	8" x 9"
PL2-FG	20"	2"	8" x 9"
PL2-AH	26"	2"	8" x 9"
PL3-AH	26"	(2) 2"	(2) 8" x 9"

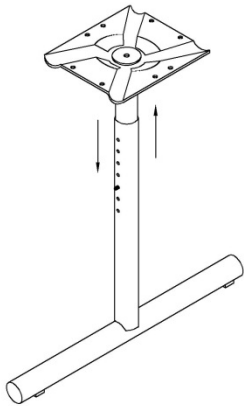
## Options/Accessories

### Wire Management Channel



A 3/4" wide spring loaded access door opens easily providing an inconspicuous internal channel which allows routing of cables and wires. Once released, the door automatically returns to its closed position. Not available in plated finishes and on adjustable height columns. When ordering double column or offset column bases, provide a drawing showing location of access door(s).

### Adjustable Height



Adjustment in 1" increments within a 6" range is achieved by simply depressing the spring loaded locking pins and sliding the column to the desired height. Not available in finish groups 3, 5, & 6. Base finish height with adjustable glides:

Lowered Position: 24-3/4"

Raised Position: 30-3/4"

### Heights:

Application	Overall Base Height
Standard Height	27-3/4"
Cocktail Height	15-3/4"
Wheel Chair Height	30-3/4"
Stand-up or Café Height	40-3/4"

## Finishes:

### Wrinkle Powder Finish

#### **Group 1**

**MBW**          Black Wrinkle

### Smooth Powder Finishes

#### **Group 2**

**MES**          Eggshell  
**MLT**          Light Tone  
**MST**          Stone  
**MSD**          Sand  
**MBN**          Brown  
**MCH**          Charcoal  
**MLG**          Light Gray  
**MMG**          Medium Gray  
**MDG**          Dark Gray  
**MWN**          Wine  
**MBX**          Bordeaux  
**MRD**          Red  
**MFG**          Forest Green  
**MFG**          Blue  
**MFG**          Black

### Premium Powder Finishes

#### **Group 3**

Not Available

#### **Group 4**

**MGV**          Gold Vein  
**MCV**          Copper Vein  
**MSV**          Silver Vein

### Plated Finishes

#### **Group 5**

**MPC**          Polished Chrome

#### **Group 6**

**MBR**          Polished Brass  
**MBS**          Satin Brass  
**MSH**          Satin Chrome  
**MBZ**          Satin Bronze

Special colors available. Please contact factory.

Flip-top spiders and special glides available.